

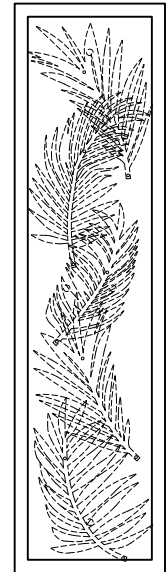
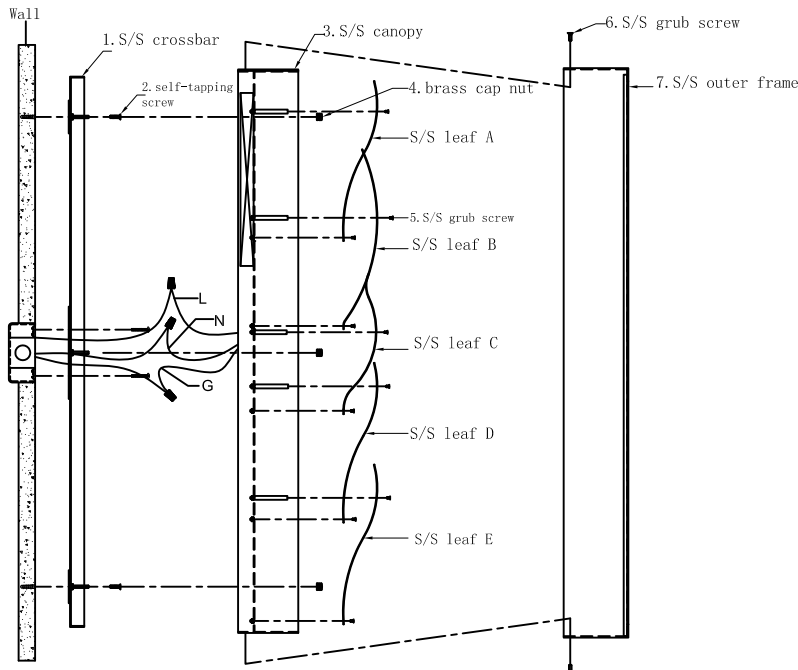
If you have any questions or problems assembling your fixture please call us for assistance. Customer Service: (702)361-4345 or (800)525-2655, customer.services@kalco.com

**WARNING:**

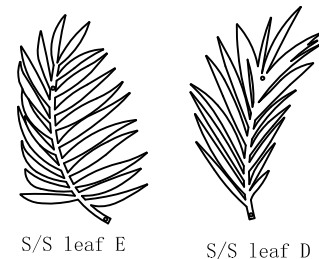
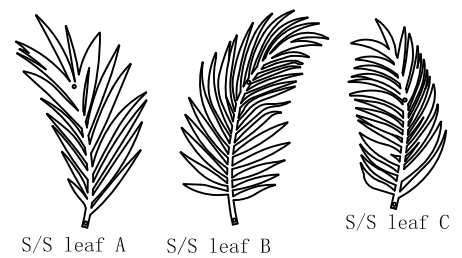
1. This fixture must be installed by qualified electrician and contractors understanding wall hanging points, structure and strength to meet building code.
2. Turn off the power to the fixture's circuit at the service panel. Use a voltage detector to verify that the power is off.

**FIXTURE INSTALLATION :**

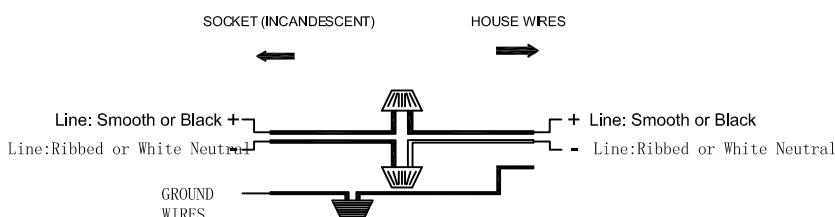
1. Unpack fixture carefully, note fixture frame comes fully assembled and two sets of hands are needed for installation.
2. Fix part 1 on the wall by part 2.
3. Put part 3 near j-box to connect wire easily.
4. Fix part 3 on part 1 by part#4.
5. Fix stainless steel leave A,B,C,D,E on part 3 by part 5.
6. Fix part 7 on part 3 by part#6.
7. Clean fixture with a damp micro fiber or cotton cloth, avoid using any cleaners that contains chemicals or abrasives that would damage fixture finish.



(FRONT VIEW)



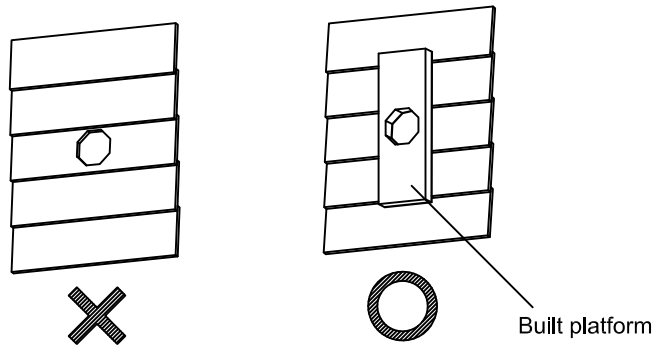
**Wiring Diagram**



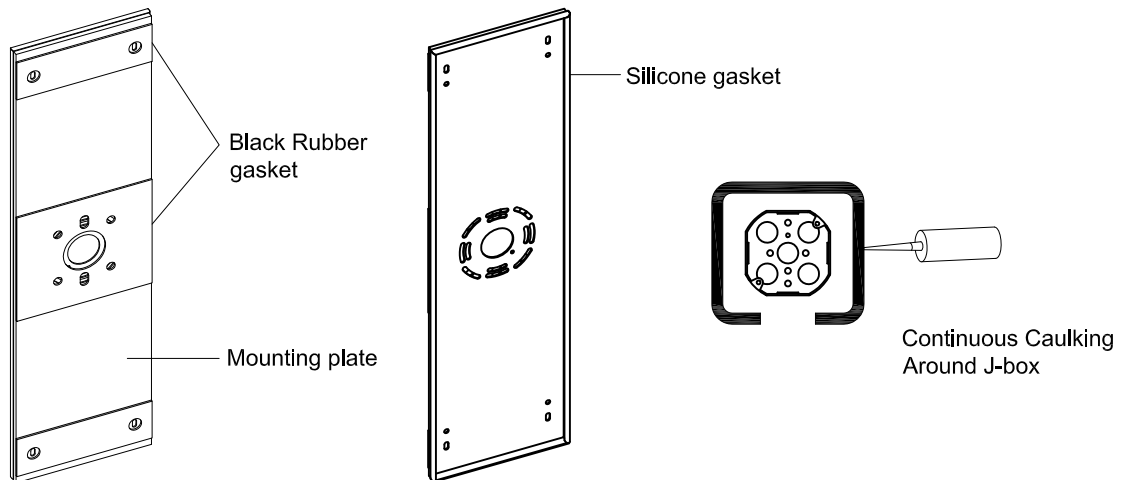
**WARNING:**

To reduce risk of water entry into the fixture and prevent damages, please mount on a flat surface and apply caulking as indicated in the illustration below. Please refer to NEC and local codes for additional instruction, If unsure about installation, please consult a qualified electrician. Use high quality caulking such as silicone.

- 1** Wall must be flat and smoothed by contractor.



- 2** Continuous bead of Caulking Must be applied Around J-Box by Contractor.



- 3** Continuous caulking must be applied between wall and fixture frame by contractor.

